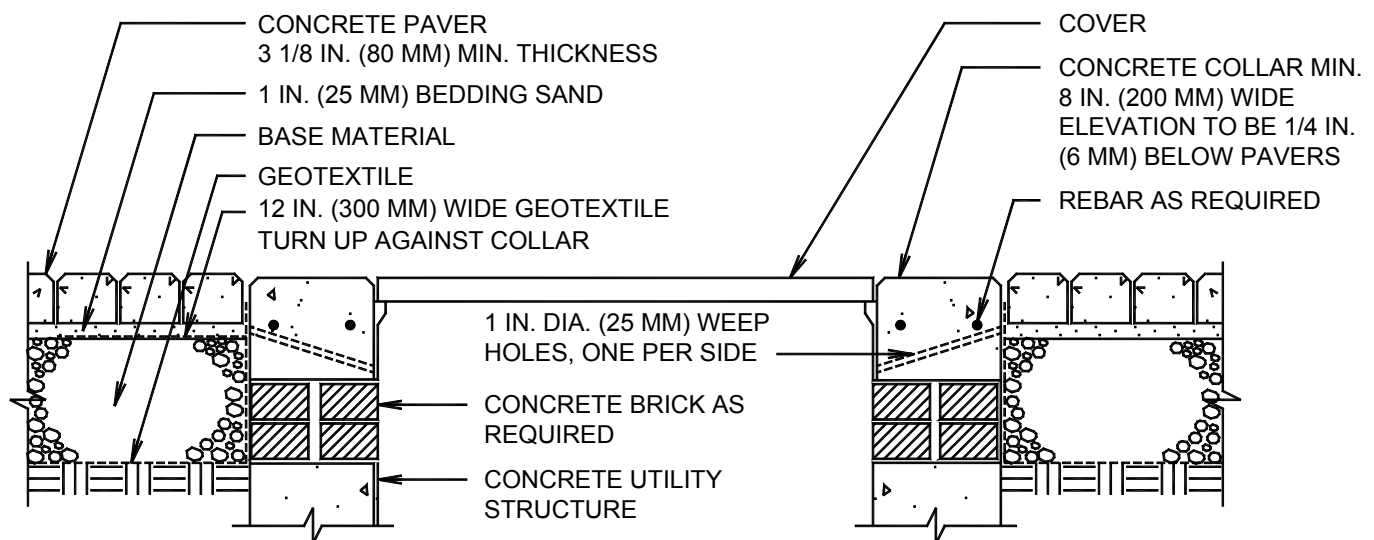


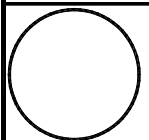
STRING COURSE OF PAVERS AROUND COLLAR

COVER

REBAR



SECTION AA



UTILITY STRUCTURE  
MANHOLE

DRAWING NO.	ICPI-24
SCALE	NO SCALE